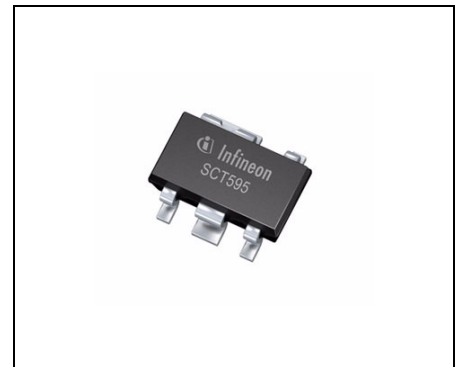




Features

- Four versions: 2.6 V, 3.0 V, 3.3 V, 5.0 V
- Output voltage tolerance $\leq \pm 4\%$
- Very low drop voltage
- Output current: 30 mA
- Power fail output
- Low quiescent current consumption
- Wide operation range: up to 45 V
- Wide temperature range: $-40\text{ °C} \leq T_j \leq 150\text{ °C}$
- Output protected against short circuit
- Overtemperature protection
- Reverse polarity proof
- Very small SMD-Package PG-SCT595-5
- Green Product (RoHS compliant)
- AEC Qualified



PG-SCT595-5

Functional Description

The **TLE 4295 G** is a monolithic integrated low-drop voltage regulator in the very small SMD package PG-SCT595-5. It is designed to supply e.g. microprocessor systems under the severe conditions of automotive applications. Therefore the device is equipped with additional protection functions against overload, short circuit and reverse polarity. At overtemperature the regulator is automatically turned off by the integrated thermal protection circuit.

Input voltages up to 40 V are regulated to $V_{Q,nom} = 2.6\text{ V}$ (V26 version) 3.0 V (V30 version) 3.3 V (V33 version) or 5.0 V (V50 version). The output is able to drive a load of more than 30 mA while it regulates the output voltage within a 4% accuracy.

The power fail output (open collector) is switched to low in case of undervoltage overload or saturation of the output transistor.

Type	Package	Marking
TLE 4295 GV26	PG-SCT595-5	D4
TLE 4295 GV30	PG-SCT595-5	D3
TLE 4295 GV33	PG-SCT595-5	D2
TLE 4295 GV50	PG-SCT595-5	D1

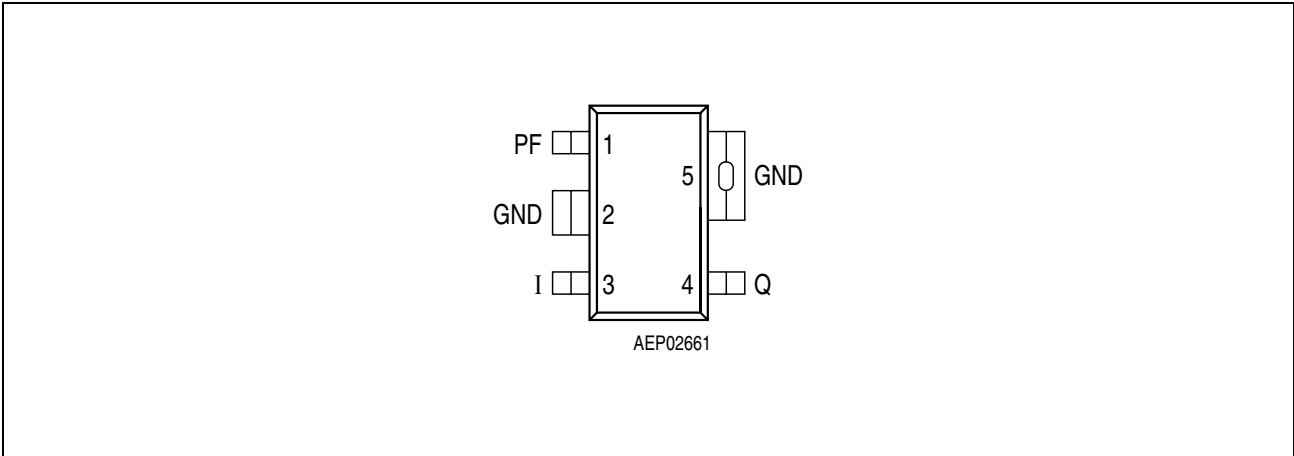


Figure 1 Pin Configuration (top view)

Table 1 Pin Definitions and Functions

Pin No.	Symbol	Function
1	PF	Power Fail ; L for under-voltage
2	GND	Ground ; connected to pin 5
3	I	Input voltage
4	Q	Output voltage ; must be blocked by a capacitor $C_Q \geq 2.2 \mu\text{F}$, $\text{ESR} \leq 5 \Omega$ to GND (Tantalum capacitor recommended as output capacitor)
5	GND	Ground ; connected to pin 2

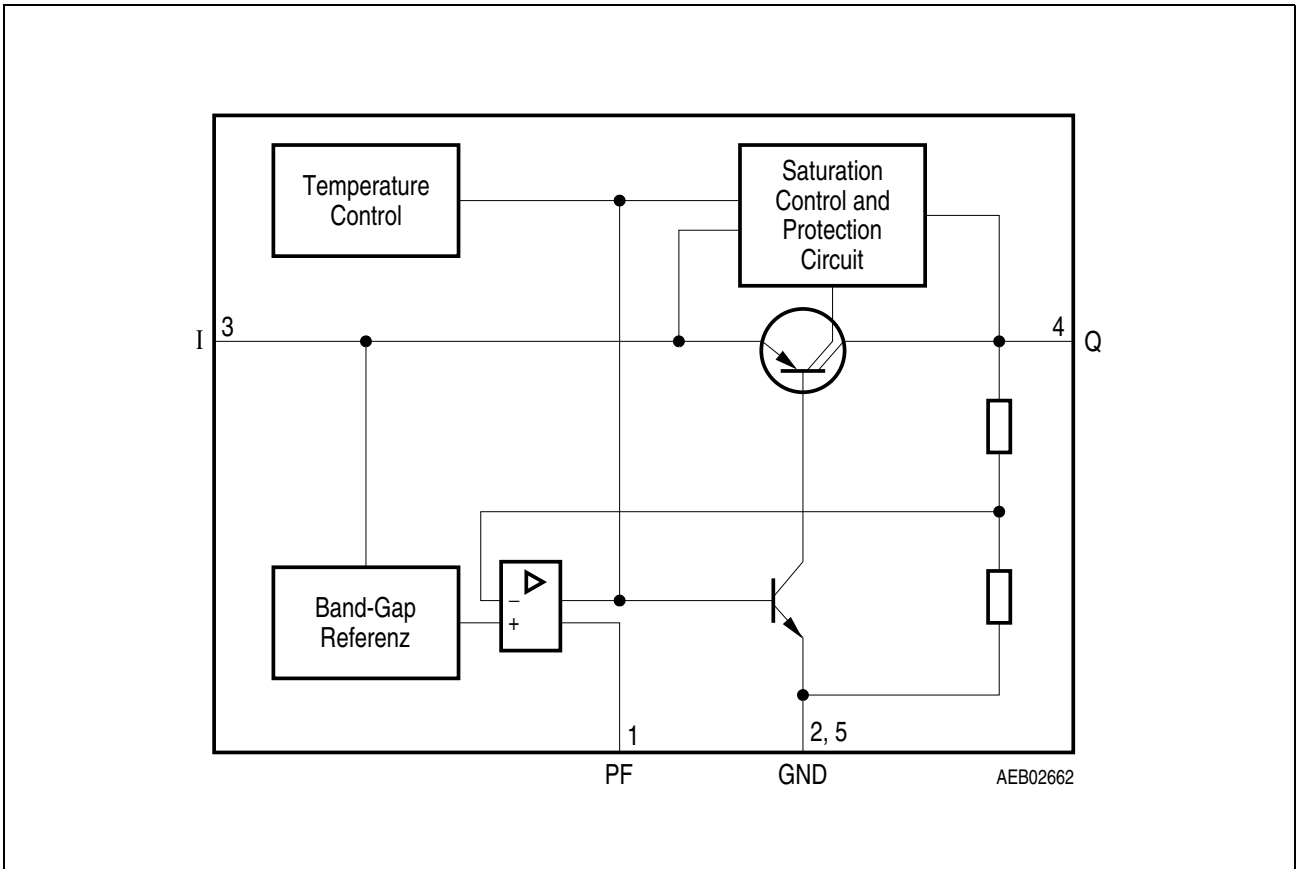


Figure 2 **Block Diagram**

Table 2 Absolute Maximum Ratings
 $-40\text{ °C} < T_j < 150\text{ °C}$

Parameter	Symbol	Limit Values		Unit	Remarks
		Min.	Max.		
Input					
Voltage	V_I	-42	45	V	–
Current	I_I	–	–	mA	internally limited
Output					
Voltage	V_Q	-6	30	V	–
Current	I_Q	–	–	mA	internally limited
Power Fail					
Voltage	V_{PF}	-0.3	45	V	–
Current	I_{PF}	-500	*	μA	* internally limited
Temperatures					
Junction temperature	T_j	-40	150	$^{\circ}\text{C}$	–
Storage temperature	T_{stg}	-50	150	$^{\circ}\text{C}$	–
Thermal Resistances					
Junction pin	$R_{thj-pin}$	–	30	K/W	measured to pin 5
Junction ambient ¹⁾	R_{thja}	–	179	K/W	zero airflow zero heat sink area

1) Worst case regarding peak temperature.

Note: Maximum ratings are absolute ratings; exceeding any one of these values may cause irreversible damage to the integrated circuit.

Table 3 Operating Range

Parameter	Symbol	Limit Values		Unit	Remarks
		Min.	Max.		
Input voltage	V_I	$V_{Q,nom} + 0.5\text{ V}$	45	V	–
Input voltage	V_I	3.5 V	45	V	2.6 V version
Output current	I_Q	–	–	mA	internally limited
Junction temperature	T_j	-40	150	$^{\circ}\text{C}$	–

Table 4 Electrical Characteristics
 $V_I = 13.5 \text{ V}; -40 \text{ }^\circ\text{C} < T_j < 150 \text{ }^\circ\text{C};$ unless otherwise specified

Parameter	Symbol	Limit Values			Unit	Test Condition
		Min.	Typ.	Max.		
Output						
Output voltage V26 version	V_Q	2.50	2.60	2.70	V	$1 \text{ mA} < I_Q < 30 \text{ mA}$ $V_I = 13.5 \text{ V}$
Output voltage V26 version	V_Q	2.50	2.60	2.70	V	$I_Q = 10 \text{ mA}$ $3.5 \text{ V} < V_I < 40 \text{ V}$
Output voltage V30 version	V_Q	2.88	3.0	3.12	V	$1 \text{ mA} < I_Q < 30 \text{ mA}$ $V_I = 13.5 \text{ V}$
Output voltage V30 version	V_Q	2.88	3.0	3.12	V	$I_Q = 10 \text{ mA}$ $4 \text{ V} < V_I < 40 \text{ V}$
Output voltage V33 version	V_Q	3.17	3.30	3.43	V	$1 \text{ mA} < I_Q < 30 \text{ mA}$ $V_I = 13.5 \text{ V}$
Output voltage V33 version	V_Q	3.17	3.30	3.43	V	$I_Q = 10 \text{ mA}$ $4.3 \text{ V} < V_I < 40 \text{ V}$
Output voltage V50 version	V_Q	4.80	5.00	5.20	V	$1 \text{ mA} < I_Q < 30 \text{ mA}$ $V_I = 13.5 \text{ V}$
Output voltage V50 version	V_Q	4.80	5.00	5.20	V	$I_Q = 10 \text{ mA}$ $6 \text{ V} < V_I < 40 \text{ V}$
Output current limitation	I_Q	30	–	–	mA	¹⁾
Drop voltage	V_{dr}	–	0.25	0.40	V	$I_Q = 20 \text{ mA}^1)$
Output capacitor	C_Q	2.2	–	–	μF	$\text{ESR} \leq 5 \Omega$ at 10 kHz
Current Consumption						
Current consumption $I_q = I_l - I_Q$	I_q	–	2	4	mA	$I_Q < 30 \text{ mA}$
Current consumption $I_q = I_l - I_Q$	I_q	–	120	200	μA	$I_Q < 1 \text{ mA}$

Table 4 Electrical Characteristics (cont'd)
 $V_I = 13.5\text{ V}; -40\text{ °C} < T_j < 150\text{ °C};$ unless otherwise specified

Parameter	Symbol	Limit Values			Unit	Test Condition
		Min.	Typ.	Max.		
Regulator Performance						
Load regulation	$ \Delta V_Q $	–	10	25	mV	$1\text{ mA} < I_Q < 25\text{ mA};$ $T_j = 25\text{ °C}$
Load regulation	$ \Delta V_Q $	–	10	30	mV	$1\text{ mA} < I_Q < 25\text{ mA}$
Line regulation	$ \Delta V_Q $	–	5	25	mV	$\Delta V_I = V_{I, \text{min}}$ to $36\text{ V};$ $I_Q = 5\text{ mA};$ $T_j = 25\text{ °C}$
Line regulation	$ \Delta V_Q $	–	10	30	mV	$\Delta V_I = V_{I, \text{min}}$ to $36\text{ V};$ $I_Q = 5\text{ mA}$
Power Supply Ripple Rejection	$PSRR$	–	60	–	dB	$f_r = 100\text{ Hz};$ $V_r = 0.5\text{ Vpp}$
Power Fail Output						
Power fail threshold	V_{QPF}	–	4.86	–	V	TLE 4295 GV50
		–	3.20	–	V	TLE 4295 GV33
		–	2.91	–	V	TLE 4295 GV30
		–	2.52	–	V	TLE 4295 GV26
Power Fail Headroom	$V_{Qnom} - V_{QPF}$	50	140	300	mV	TLE 4295 GV50
		33	100	200	mV	TLE 4295 GV33
		30	90	180	mV	TLE 4295 GV30
		27	80	160	mV	TLE 4295 GV26
Power fail low voltage	V_{PFL}	–	150	300	mV	$I_{PF} = 0.1\text{ mA}$
Pull-up resistor	R_{PF}	70	100	130	k Ω	internal connected to V_Q

1) Measured when the output voltage V_Q has dropped 100 mV from the nominal value.

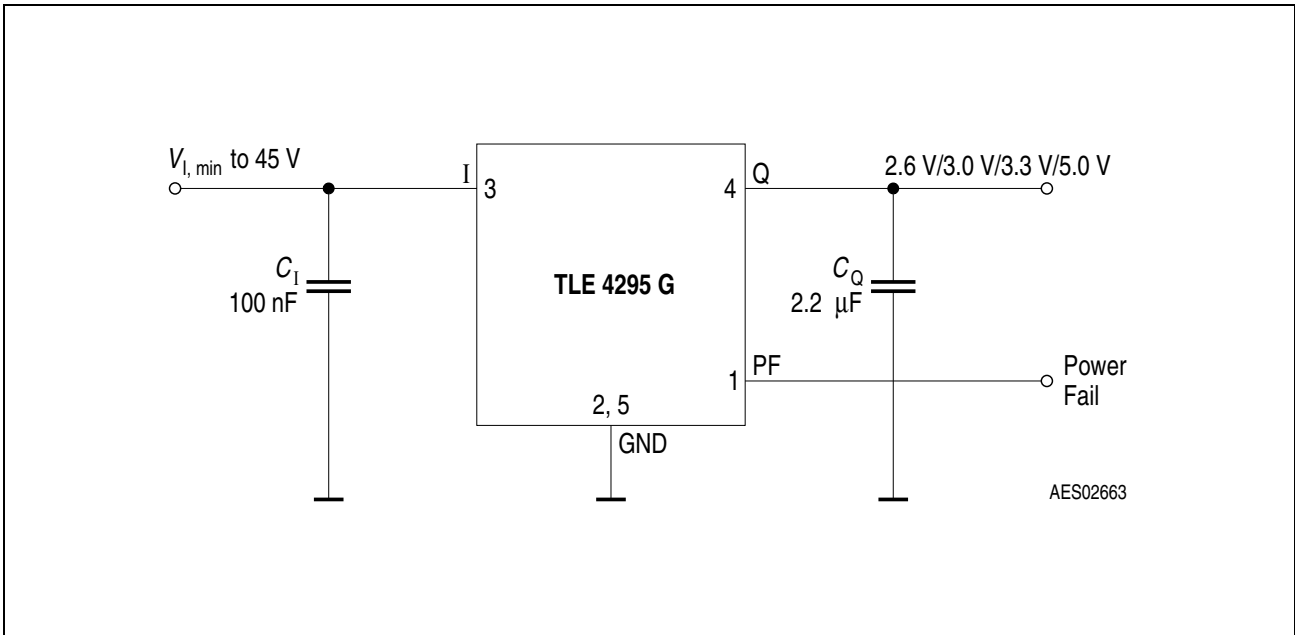


Figure 3 Application Circuit

Package Outlines

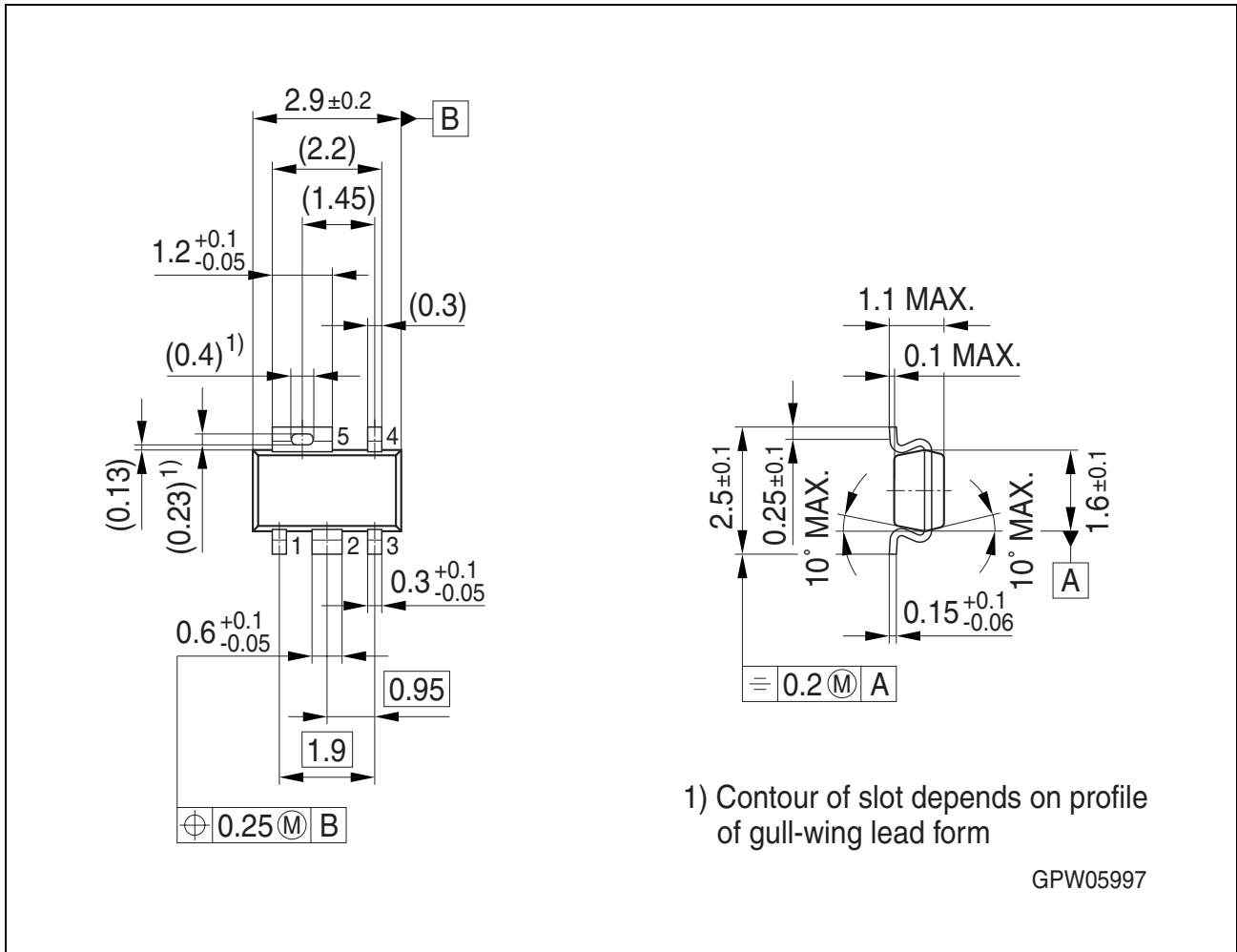


Figure 4 Outline PG-SCT595-5

Green Product (RoHS compliant)

To meet the world-wide customer requirements for environmentally friendly products and to be compliant with government regulations the device is available as a green product. Green products are RoHS-Compliant (i.e Pb-free finish on leads and suitable for Pb-free soldering according to IPC/JEDEC J-STD-020).

You can find all of our packages, sorts of packing and others in our Infineon Internet Page "Products": <http://www.infineon.com/packages>.

SMD = Surface Mounted Device

Dimensions in mm

Revision History

Version	Date	Changes
Rev. 1.4	2008-04-21	Initial version of RoHS-compliant derivate of TLE 4295. Page 1 : AEC certified statement added. Page 1 and Page 8 : RoHS compliance statement and Green product feature added. Page 1 and Page 8 : Package changed to RoHS compliant version. Page 1 : Marking information added. Legal Disclaimer updated
Rev. 1.3	2004-01-01	Final datasheet

Edition 2008-04-21

**Published by
Infineon Technologies AG
81726 Munich, Germany**

**© 2008 Infineon Technologies AG
All Rights Reserved.**

Legal Disclaimer

The information given in this document shall in no event be regarded as a guarantee of conditions or characteristics. With respect to any examples or hints given herein, any typical values stated herein and/or any information regarding the application of the device, Infineon Technologies hereby disclaims any and all warranties and liabilities of any kind, including without limitation, warranties of non-infringement of intellectual property rights of any third party.

Information

For further information on technology, delivery terms and conditions and prices, please contact the nearest Infineon Technologies Office (www.infineon.com).

Warnings

Due to technical requirements, components may contain dangerous substances. For information on the types in question, please contact the nearest Infineon Technologies Office.

Infineon Technologies components may be used in life-support devices or systems only with the express written approval of Infineon Technologies, if a failure of such components can reasonably be expected to cause the failure of that life-support device or system or to affect the safety or effectiveness of that device or system. Life support devices or systems are intended to be implanted in the human body or to support and/or maintain and sustain and/or protect human life. If they fail, it is reasonable to assume that the health of the user or other persons may be endangered.